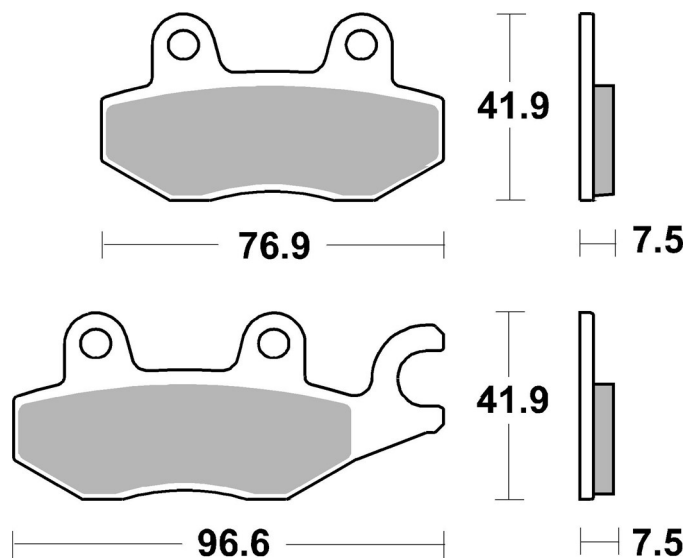


7. november 2020

6290955100



SBS ref. #	Available compounds
6290955100	CRR • DC



RECOMMENDED

