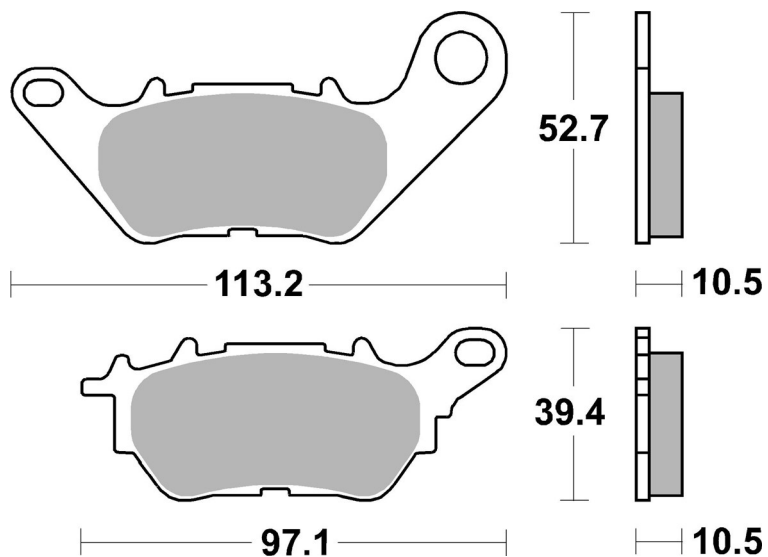


7. november 2020

**6210932100**



SBS ref. #	Available compounds
6210932100	CT • RQ



RECOMMENDED

