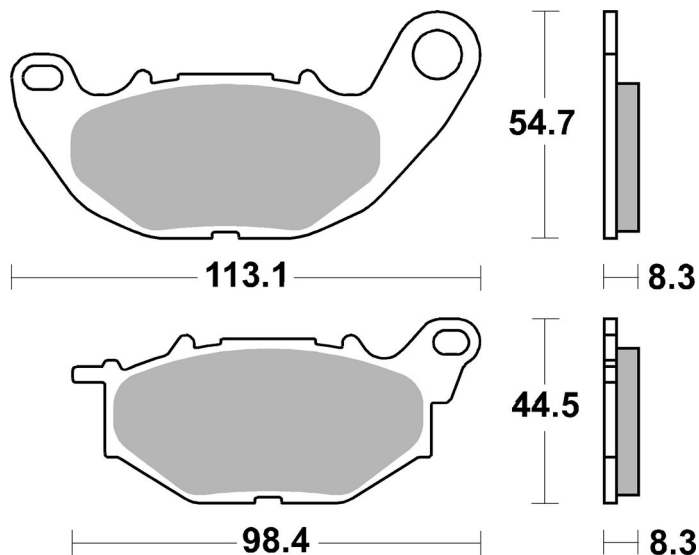


7. november 2020

**6410931100**



SBS ref. #	Available compounds
6410931100	DS-2



RECOMMENDED

