

7. november 2020

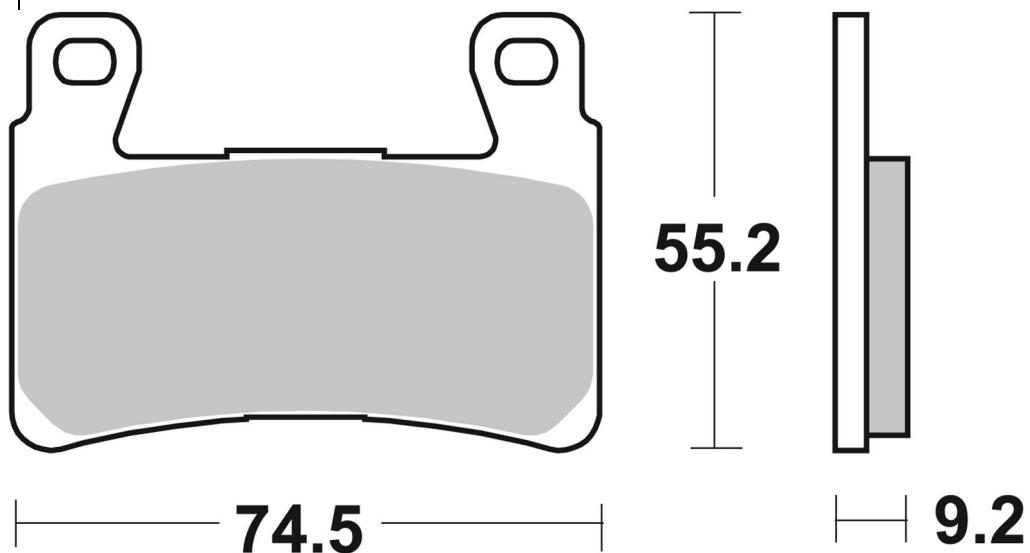
6510860100



SBS ref. #	Available compounds
------------	---------------------

6510860100

H.CT



RECOMMENDED

