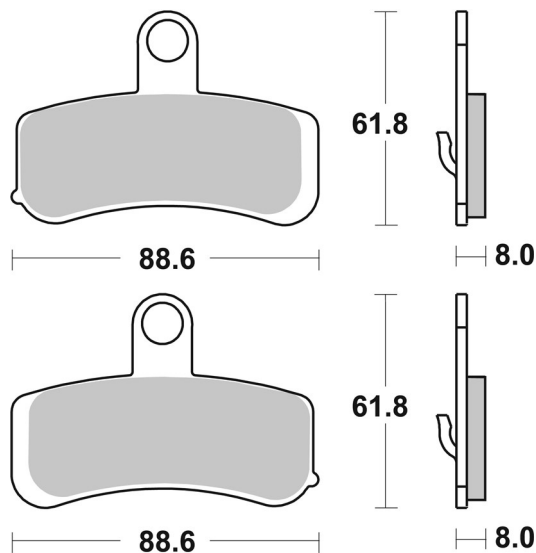


7. november 2020

6490853100



SBS ref. #	Available compounds
6490853100	H.HF • ST



RECOMMENDED

