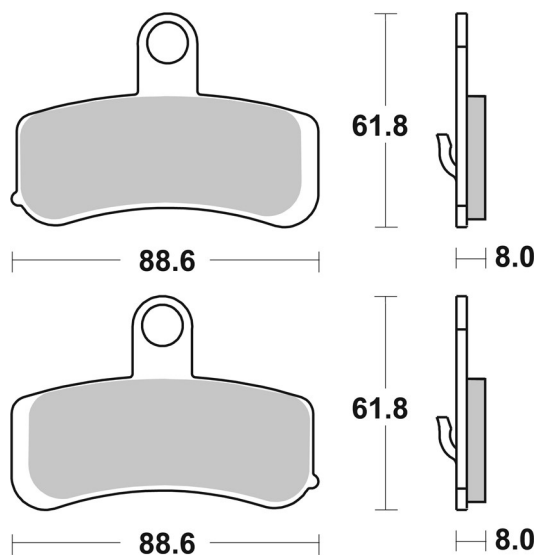


7. november 2020

6510853100



SBS ref. #	Available compounds
6510853100	H.CT



RECOMMENDED

