

7. november 2020

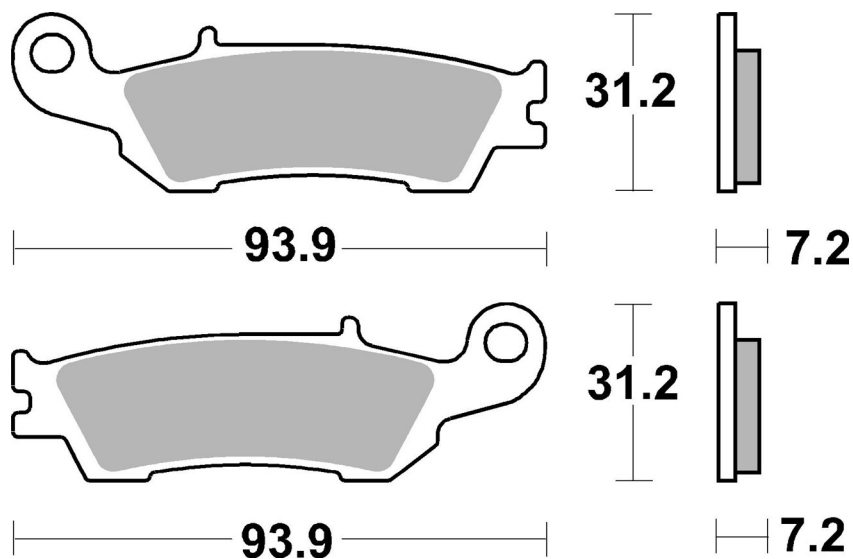
6460840100



SBS ref. #	Available compounds
------------	---------------------

6460840100

AOR • ATS



RECOMMENDED

