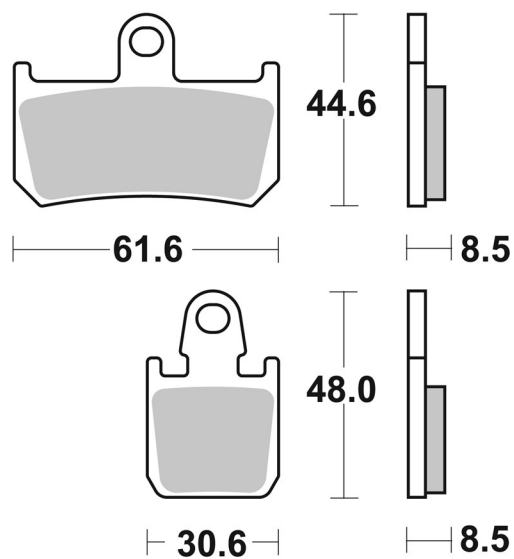


7. november 2020

**6370839100**



SBS ref. #	Available compounds
6370839100	DS-1 • TRR



**RECOMMENDED**

