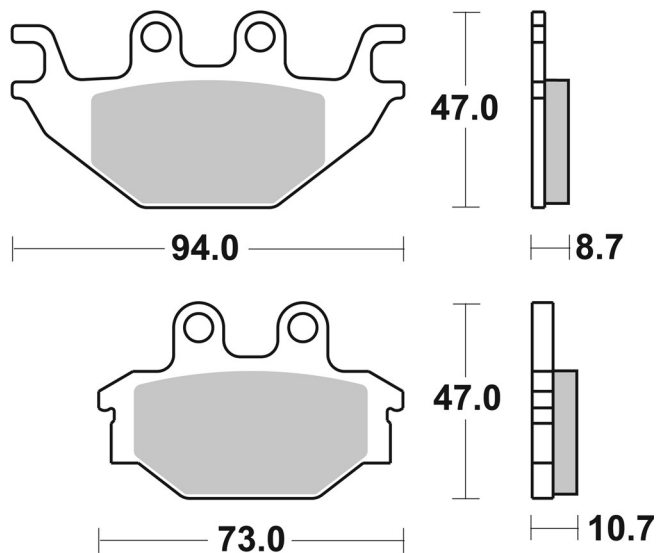


7. november 2020

6280810100



SBS ref. #	Available compounds
6280810100	MOR • ORR • RSI



RECOMMENDED

