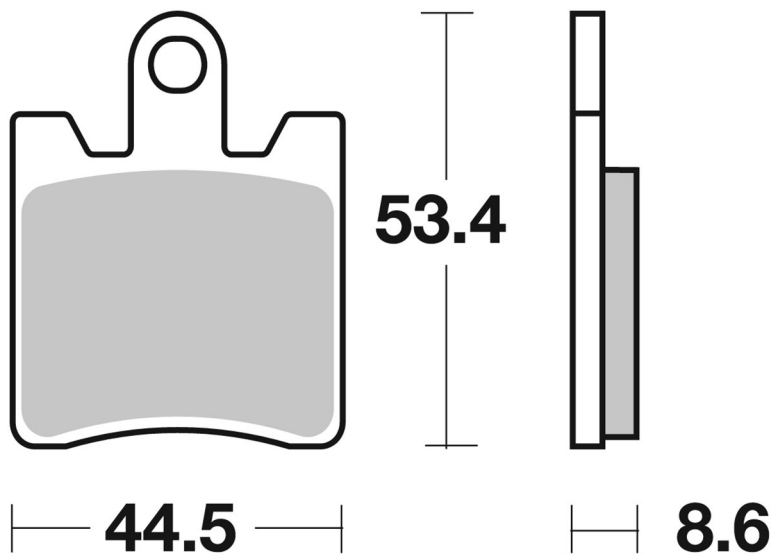


7. november 2020

6190740100



SBS ref. #	Available compounds
6190740100	HF • ST



RECOMMENDED

