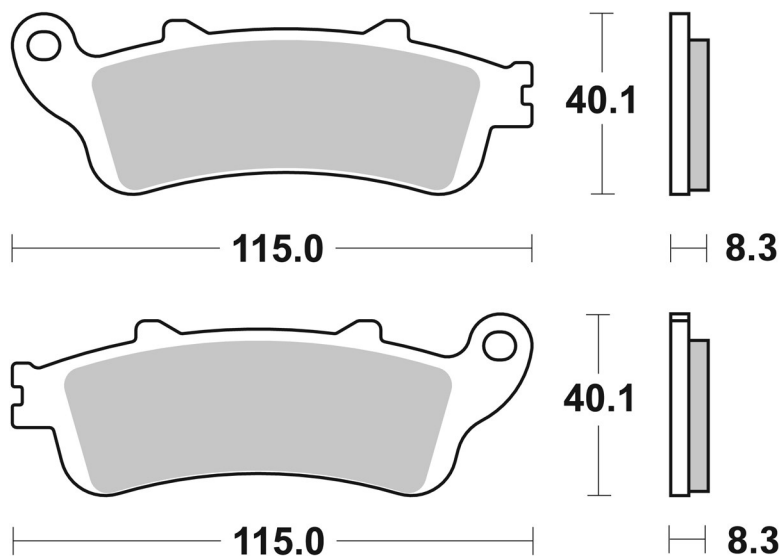


7. november 2020

**6490735100**



SBS ref. #	Available compounds
6490735100	H.HF • HF • ST



**RECOMMENDED**

