

7. november 2020

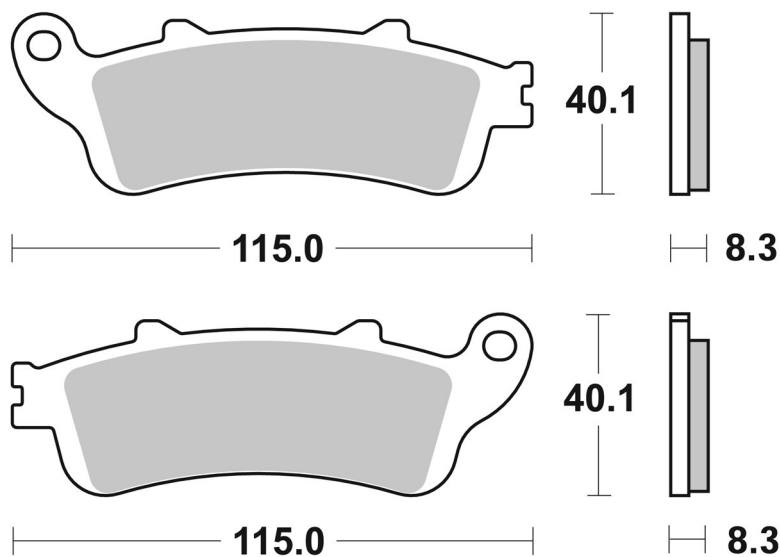
6510735100



SBS ref. #	Available compounds
------------	---------------------

6510735100

CT • H.CT



RECOMMENDED

