

7. november 2020

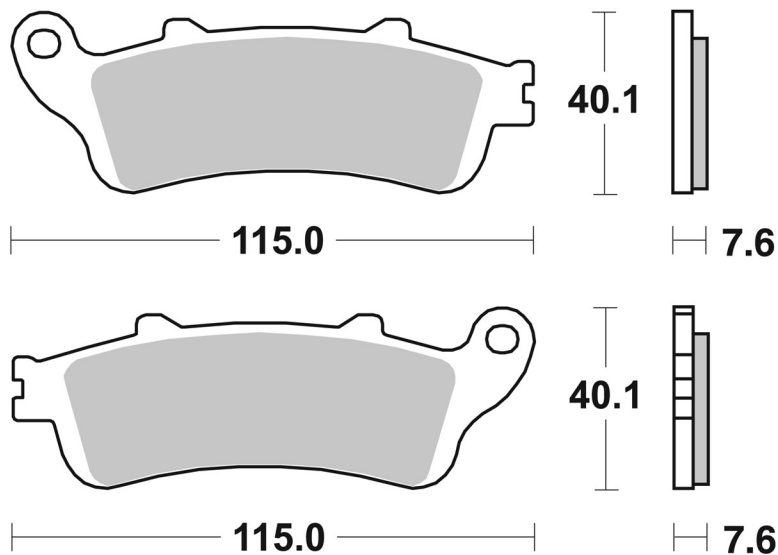
6270721100



SBS ref. #	Available compounds
------------	---------------------

6270721100

RS



RECOMMENDED

