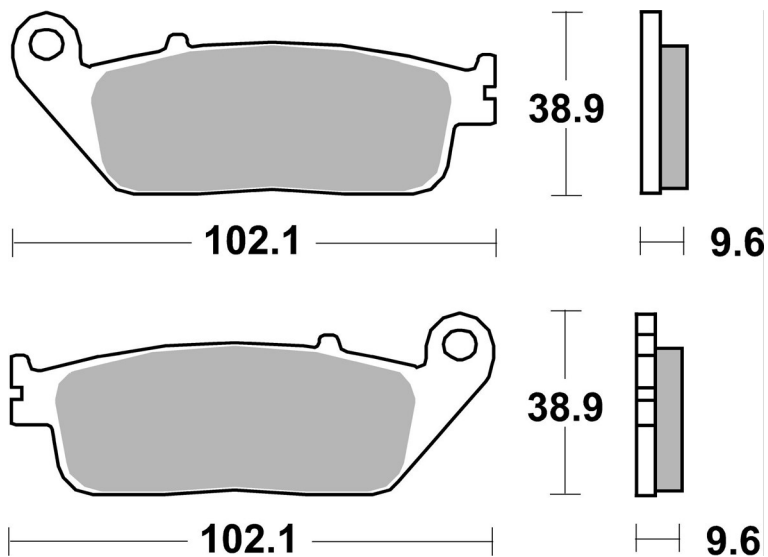


7. november 2020

**6270700100**



SBS ref. #	Available compounds
6270700100	RS • SRR



RECOMMENDED

