

7. november 2020

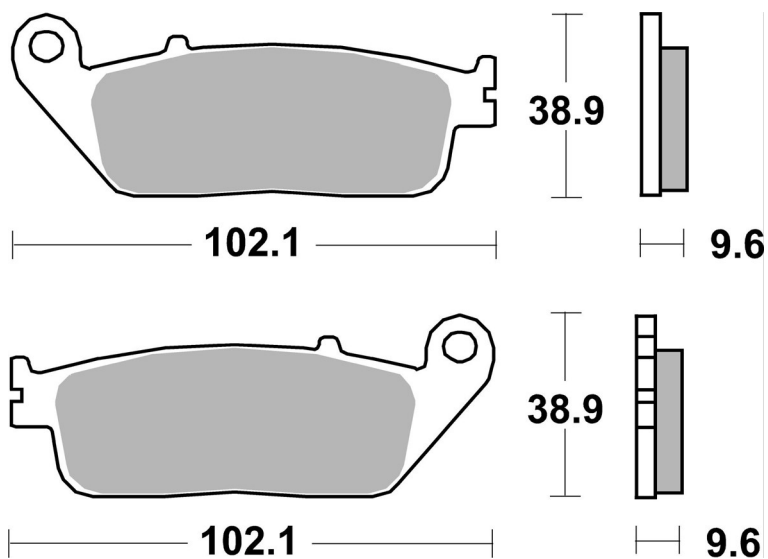
**6370700100**



SBS ref. #	Available compounds
------------	---------------------

6370700100

DS-1 • TRR



RECOMMENDED

