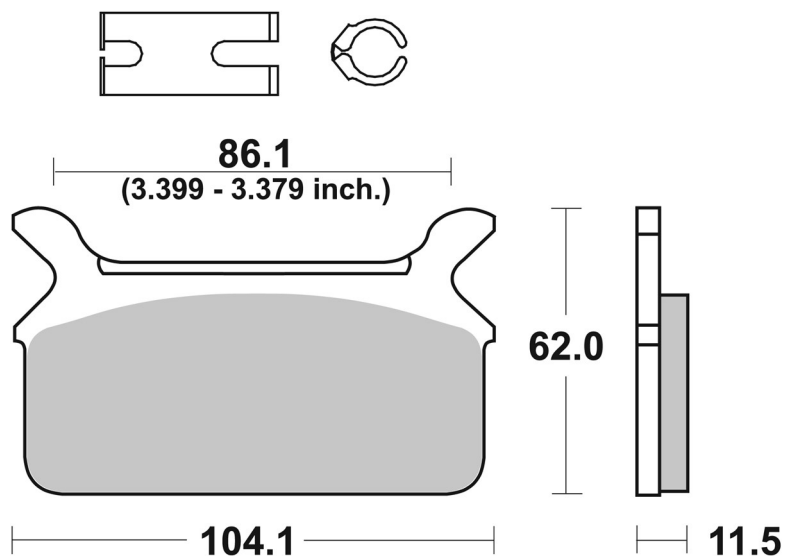


7. november 2020

**6490668100**



SBS ref. #	Available compounds
6490668100	H.HF • ST



RECOMMENDED

