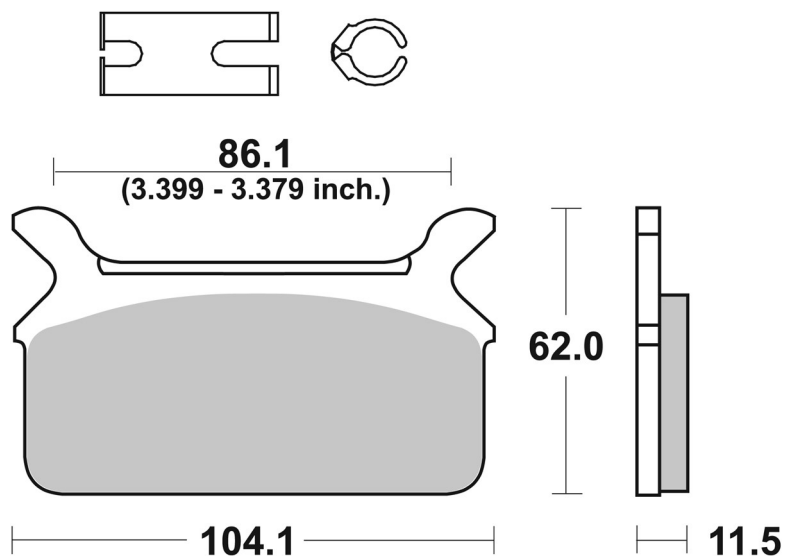


7. november 2020

**6510668100**



SBS ref. #	Available compounds
6510668100	H.CT



**RECOMMENDED**

