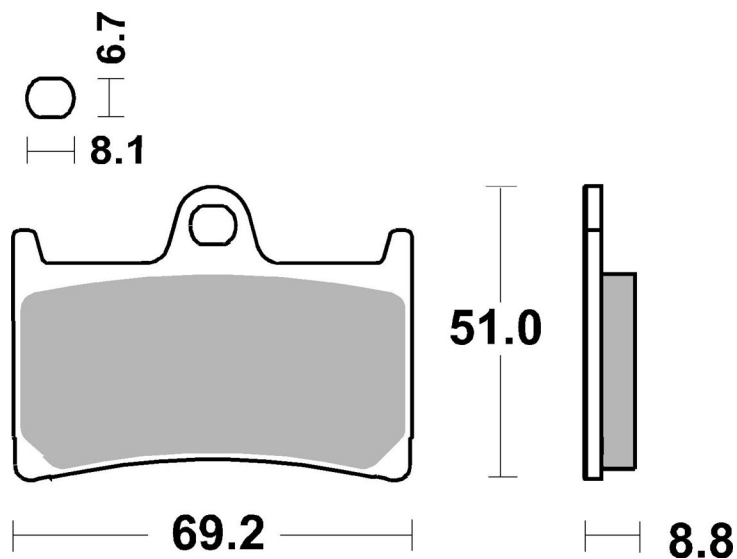


7. november 2020

6370634100



SBS ref. #	Available compounds
6370634100	DS-1 • TRR



RECOMMENDED

