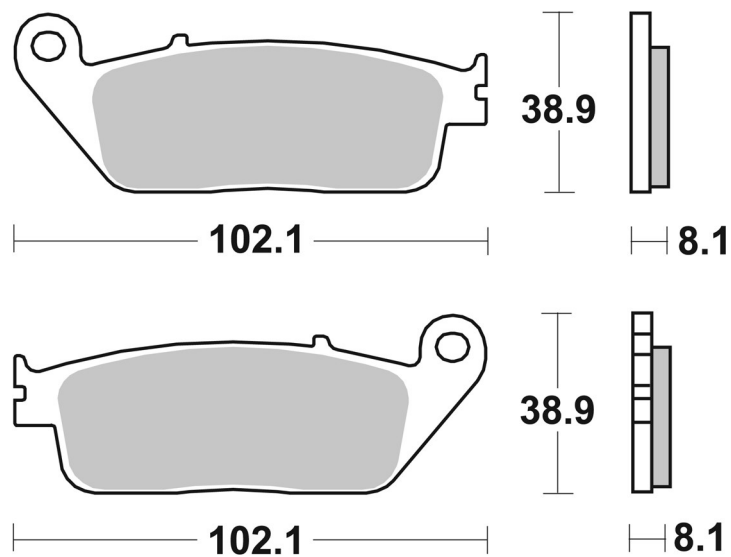


7. november 2020

6390627100



SBS ref. #	Available compounds
6390627100	SFP • SP



RECOMMENDED

