

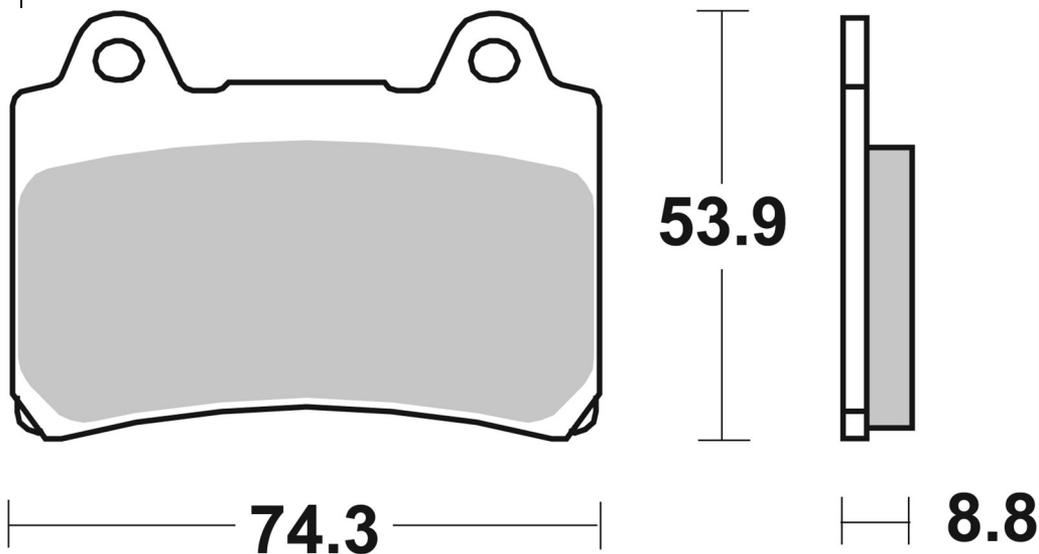
7. november 2020

**6400613100**



SBS ref. #	Available compounds
------------	---------------------

6400613100	DCC
------------	-----



**RECOMMENDED**

