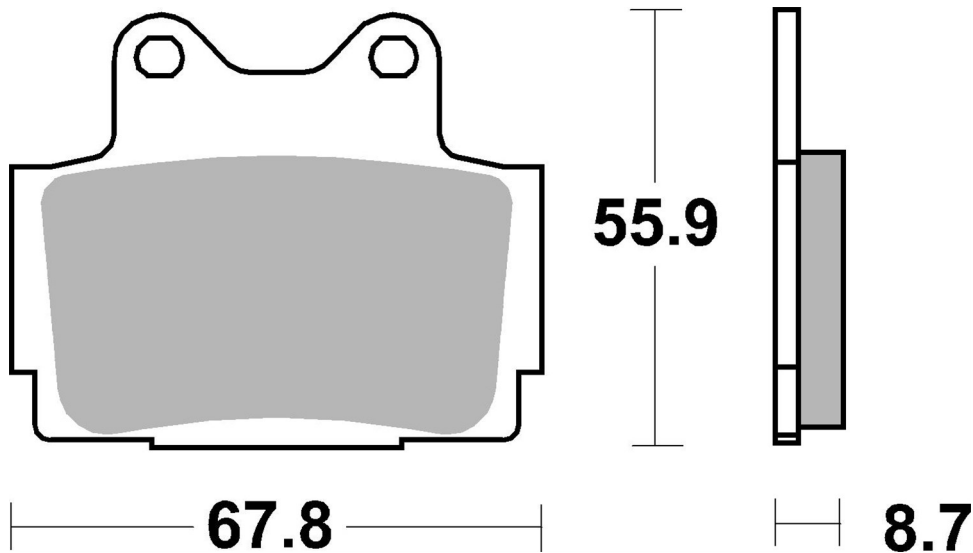


7. november 2020

**6400570100**



SBS ref. #	Available compounds
6400570100	DCC



**RECOMMENDED**

