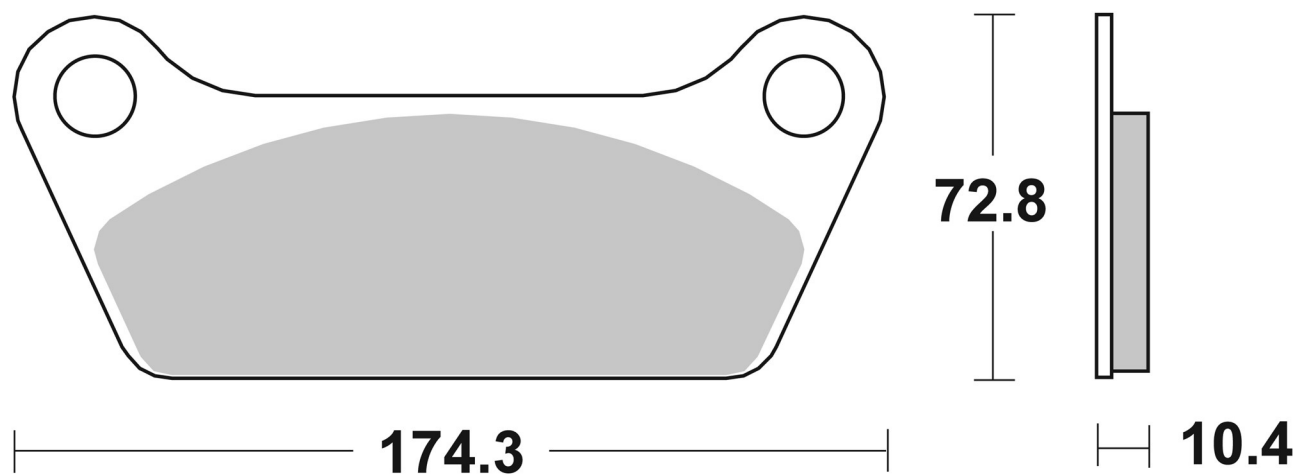


7. november 2020

**6510553100**



SBS ref. #	Available compounds
6510553100	H.CT



RECOMMENDED

