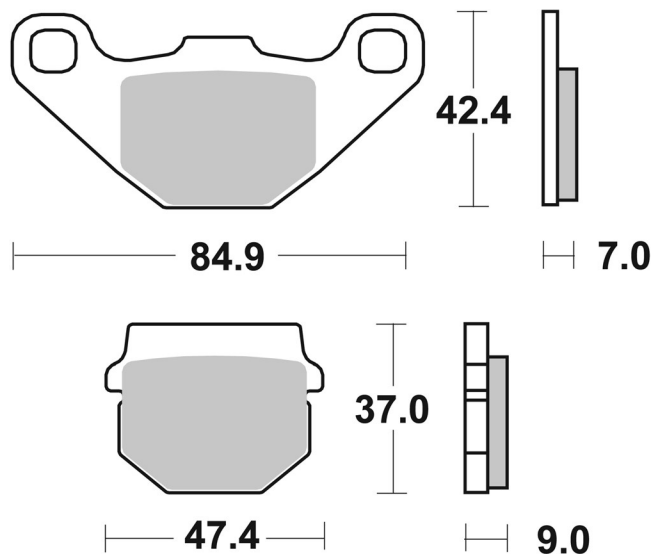


7. november 2020

**6330544100**



SBS ref. #	Available compounds
6330544100	CS • ORC



RECOMMENDED

