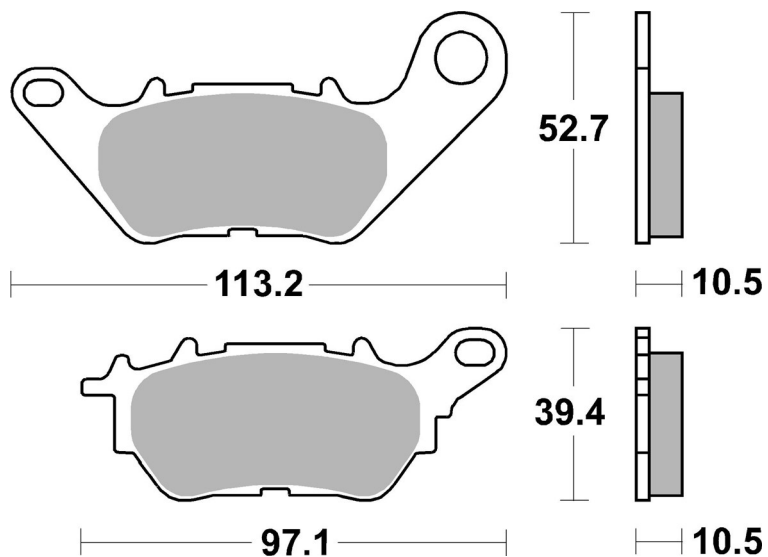


7. november 2020

6190230100



SBS ref. #	Available compounds
6190230100	HF • SC • ST



RECOMMENDED

