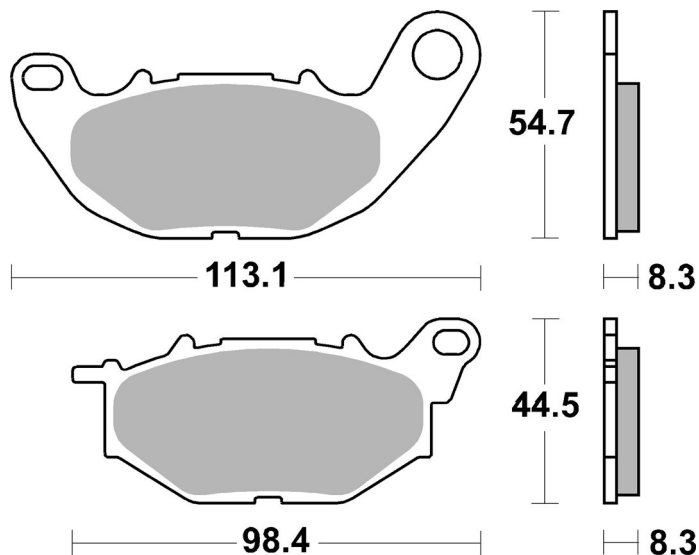


7. november 2020

**6190229100**



SBS ref. #	Available compounds
6190229100	HF • SC • ST



RECOMMENDED

