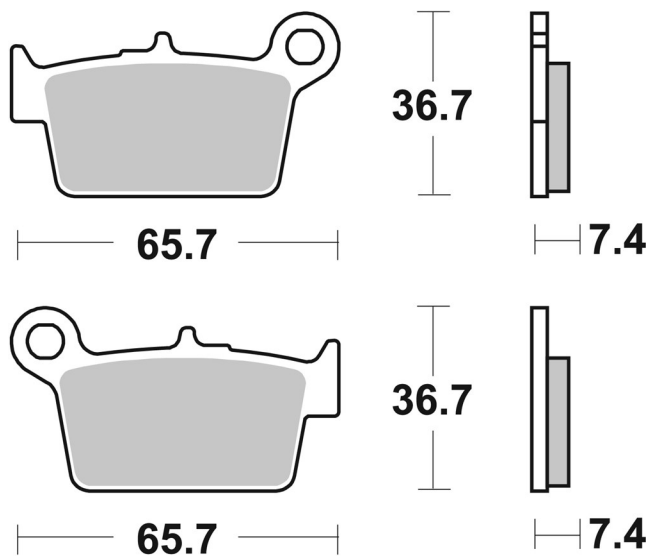


7. november 2020

6210199100



SBS ref. #	Available compounds
6210199100	CT



RECOMMENDED

